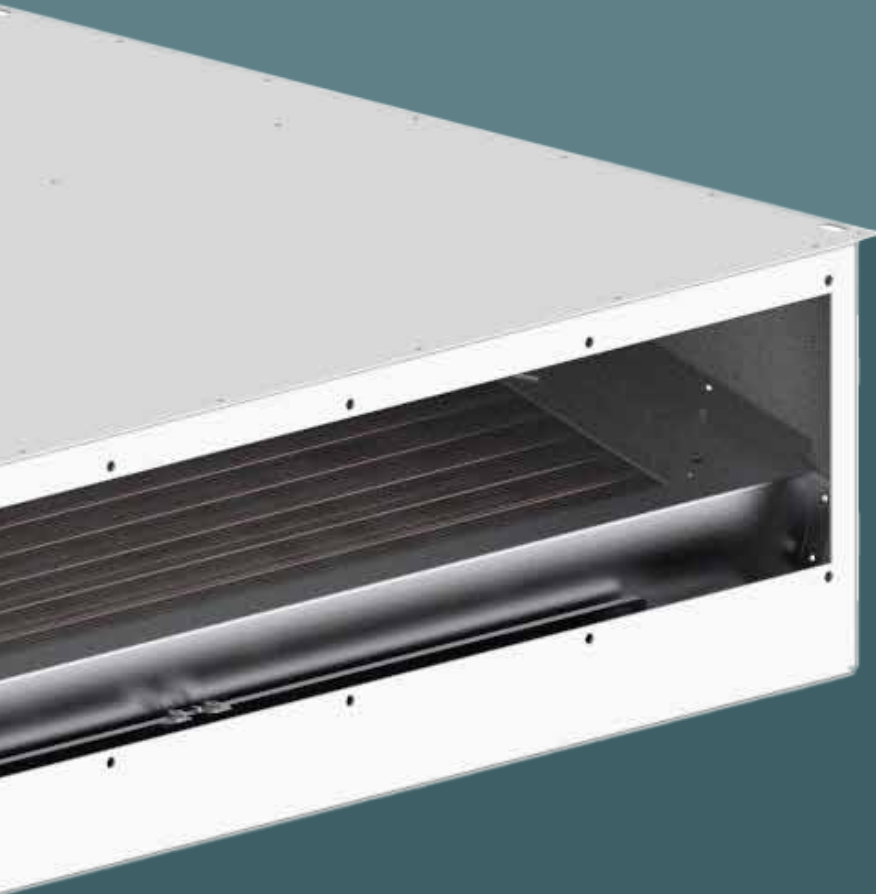




DUCTO

Ducted fancoil
with constant
air flow



**Variable speed,
constant air flow**



DUCTO



DUCTO, the smart fancoil

DUCTO is the new INNOVA ducted fancoil. A very high efficiency product that automatically adjusts the fan speed to ensure a constant air flow and consequently constant comfort over time.

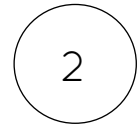
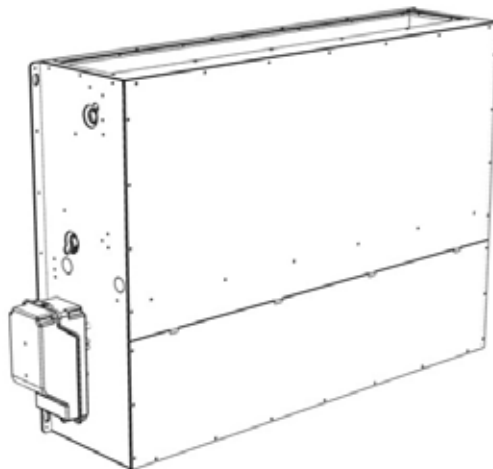
DUCTO fits perfectly into any wall or false ceiling. The extreme quiet operation makes it the ideal model for any type of home.

**A single product,
two installations**

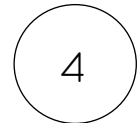
Horizontal installation



Vertical installation



**Configurations 0-10 V
or modulated air flow
control**



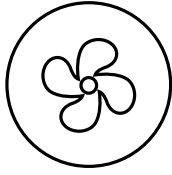
Sizes



**Cooling capacity
(kW)**



**Available static
pressure (Pa)**



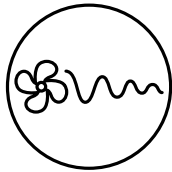
AUTOADAPTIVE FAN SPEED

Constant air flow thanks to the auto adaptive fan speed to the ducts length.



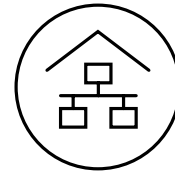
NOISELESS

The continuous modulating fan is progressively reducing the speed whilst reaching the set point, so to guarantee the perfect silence of operation.



MODULATED AIR FLOW

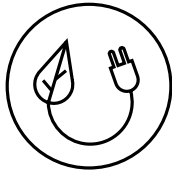
Whilst standard “on off” products alternate silly air flows to complete stops, with DUCTO the air flow is at the same time effective and imperceptible.



ETHERNET / BMS

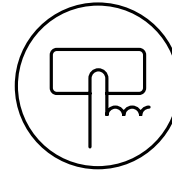
DUCTO can be integrated with the most complex and modern systems of remote management, thanks to its electronic boards that can be easily integrated with the most diffused building management systems.





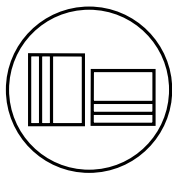
DC INVERTER

Thanks to this newest technology, DUCTO has extremely low electrical consumption and perfect stability of functioning.



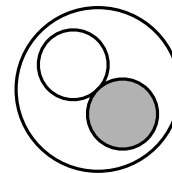
CONTROLS

Comandi Smart Touch di altissimo livello sia estetico che funzionale. Possibilità di gestione attraverso l'App INNOVA, anche da remoto, via WIFI.



INSTALLATION

DUCTO can be installed either horizontally in the false ceiling or vertically built in the wall. Two effective solutions suitable for any home.

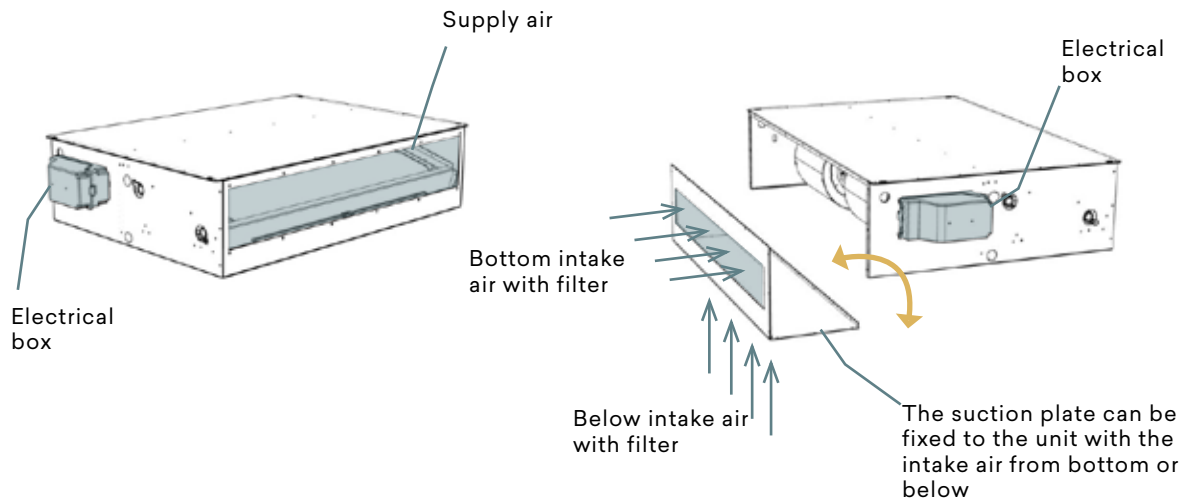


TWO VERSIONS

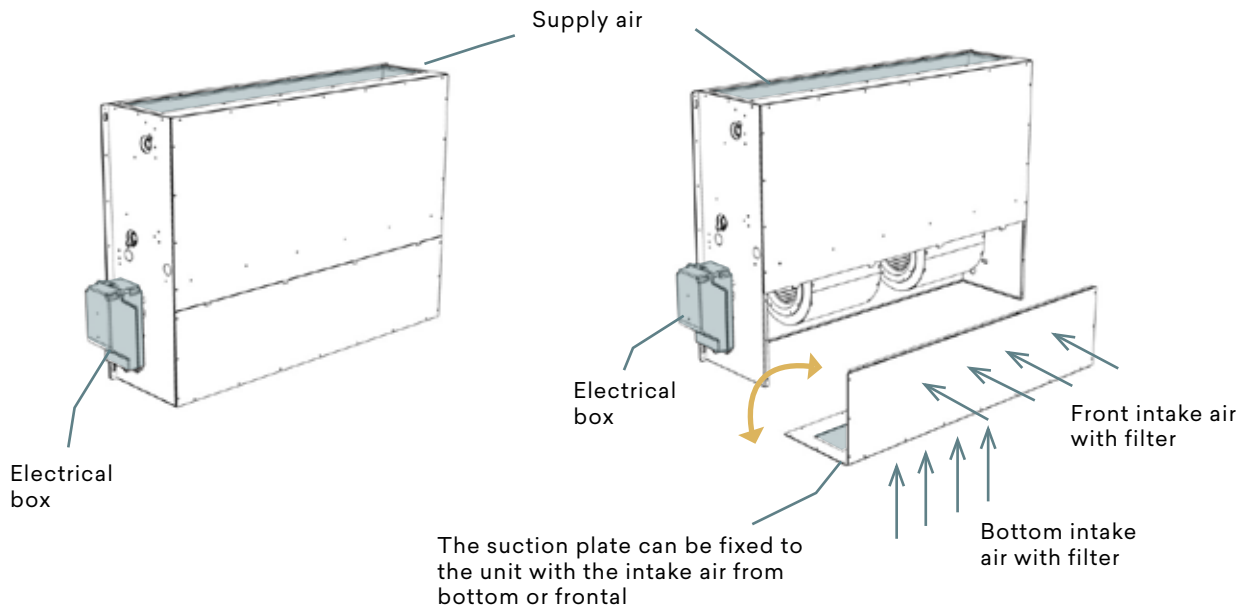
There are two control versions of DUCTO: Pi logic and modulating speed with WiFi or Modbus thermostat, speed control 0-10 V.

A single product suitable for any installation.

HORIZONTAL INSTALLATION



VERTICAL INSTALLATION



1

FANS

The unit is equipped with single motor centrifugal fans for each impeller. Low consumption DC inverter motor and integrated control that guarantees a constant flow rate.

2

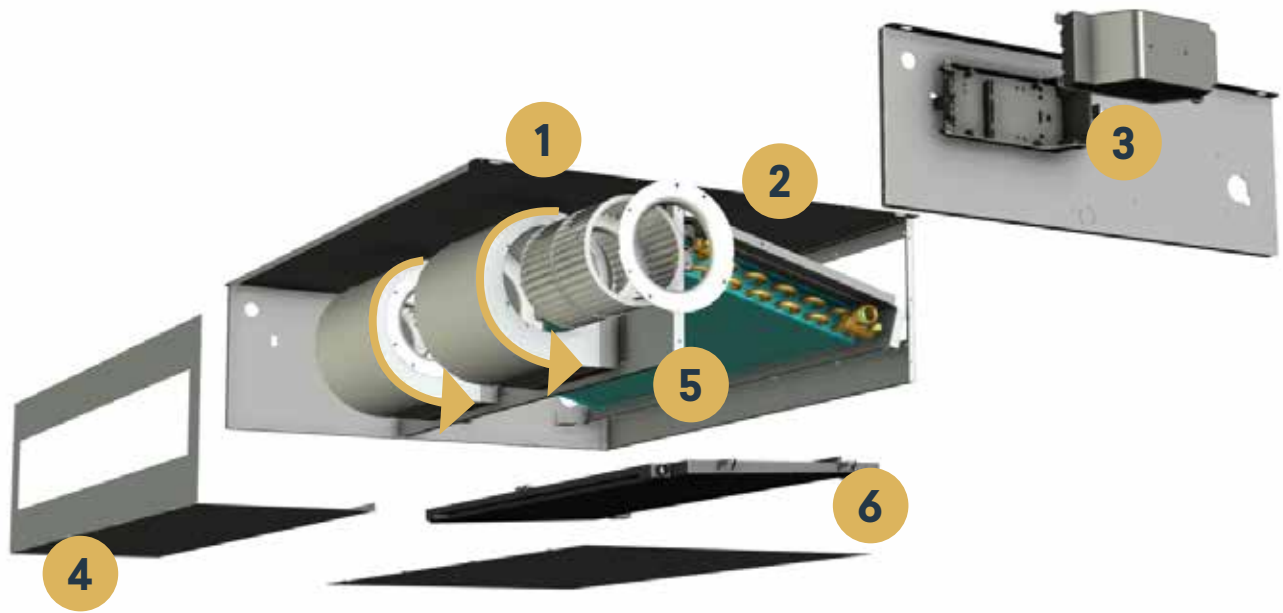
HEAT EXCHANGER

Copper aluminium Water to air heat exchanger with hydrophilic treatment fins.

3

ELECTRICAL BOX

Electrical box excluded from the air flow, with electronic main board control.



4

REVERSIBLE SUCTION PLATE WITH AIR FILTER

The suction plate can be fixed to the unit with the intake air from bottom or below. Filtration class ISO Coarse 80%

5

VERTICAL CONDENSATE TRAY

Allows the collection of condensate if the unit is installed vertically.

6

HORIZONTAL CONDENSATE TRAY

Allows the collection of condensate if the unit is installed horizontally.

Controls.

On board electronic control with PID full modulating fan connected to EDA649-EDB649-EWG649-EWW649 wall mounted panel

(Control installed and tested at the factory)



- automatic modulating fan speed
- manual fan speed
- proportional-integral logic
- inlet water temperature control
- 2 or 3 way on/off valve control
- dry contact enabling heating generator
- dry contact enabling cooling generator
- management of the underfloor heating system

SMART TOUCH wall controller with integrated ModBus serial port



black color
cod: EDA649II



white color
cod: EDB649II

SMART TOUCH wall controller with integrated WiFi



black color
cod: EWG649II



white color
cod: EWW649II

- The Smart touch wall controller can be manage up to 31 units
- There is a programmable digital input for window contact or remote summer / winter change



For connection with 0-10 V fan speed control

(Control installed and tested at the factory)



Analog input 0-10V

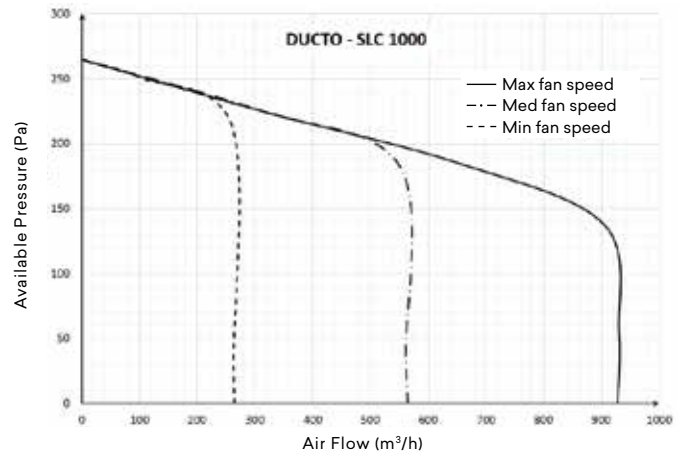
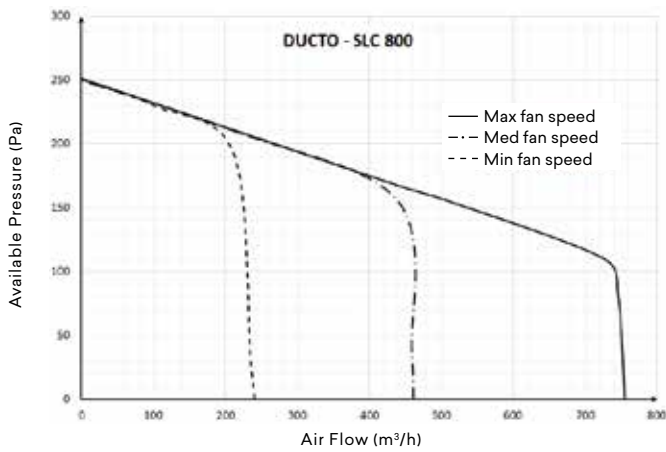
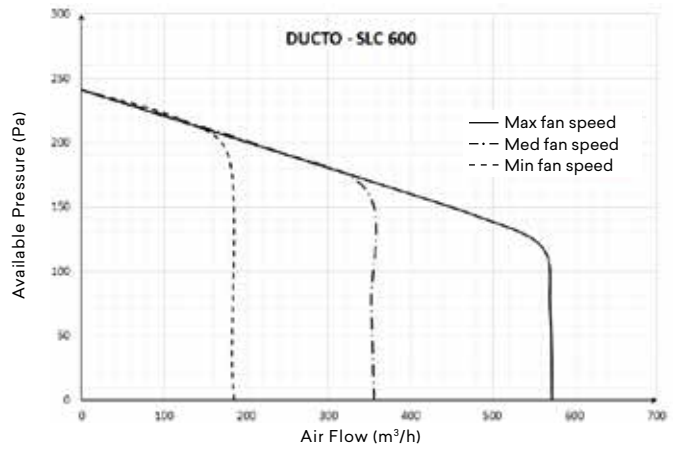
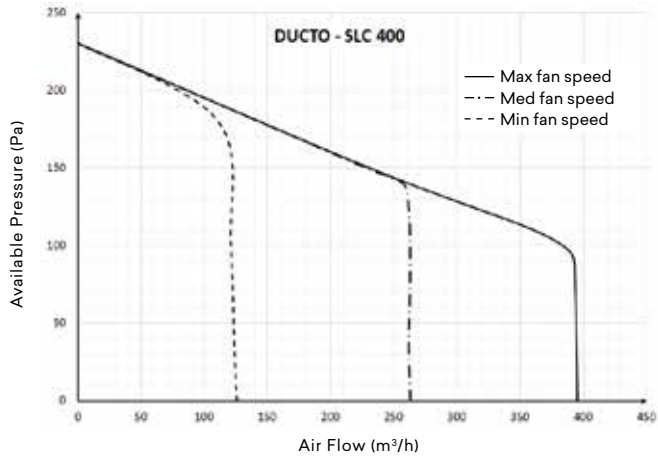
- thermoregulation and control are managed by an external device (not supplied)
- the fan speed is managed proportionally through the 0-10V signal

**Thermostat with
0-10 V output**

**KONNEX
thermostat + actuator**

**Home automation control or BMS
(Building Management System)**

Fan performances



Note: Available Pressure net of internal pressure drops



TECHNICAL DATA

		SLC			
Sizes	u.m.	400	600	800	1000

COOLING PERFORMANCES (A 27 °C; W 7 °C)

Total cooling capacity (1)	kW	1,91	3,01	3,49	4,40
Sensible cooling capacity (1)	kW	1,42	2,20	2,83	3,60
Water flow (1)	L/h	330	520	605	760
Water pressure drop (1)	kPa	4,0	11,0	21,0	14,0

HEATING PERFORMANCES (A 20 °C; W 45 °C)

Heating capacity (2)	kW	2,30	3,20	3,90	5,30
Water flow (2)	L/h	392	555	673	910
Water pressure drop (2)	kPa	7,5	11,4	22,3	16,0

HEATING PERFORMANCES (A 20 °C; W 35 °C)

Heating capacity (3)	kW	0,96	1,89	2,61	3,21
Water flow (3)	L/h	166	328	453	556
Water pressure drop (3)	kPa	2,7	4,5	10,0	7,0

HYDRAULIC DATA

Coil water content	L	0,8	1,13	1,46	1,46
Maximum operating pressure	bar	10	10	10	10
Water connections	" EK	3/4	3/4	3/4	3/4

AERAUIC DATA

Air flow at the maximum fan speed (4)	m ³ /h	390	560	730	905
Air flow at the medium fan speed (4)	m ³ /h	260	350	440	550
Air flow at the minimum fan speed (4)	m ³ /h	120	180	240	260
Static pressure available	Pa	90	130	110	140

ELECTRICAL DATA

Power supply	V/ph/Hz	230/1/50	230/1/50	230/1/50	230/1/50
Power input at the maximum fan speed	W	75	95	170	230
Current absorbed at the maximum allowed conditions	A	0,6	0,8	1,2	1,8
Electrical power absorption at minimum speed	W	22	38	45	45

SOUND DATA

Sound power level at maximum air flow	dB(A)	55	59	61	63
Sound pressure level at maximum air flow (4)	dB(A)	43	46	48	49
Sound pressure level at medium air flow (4)	dB(A)	37	39	41	43
Sound pressure level at minimum air flow (4)	dB(A)	30	31	34	37

DIMENSIONS

Width	mm	590	790	990	1190
Height	mm	240	240	240	240
Depth	mm	690	690	690	690
Weight	kg	32	42	46	46

(1) Water temperature 7/12 °C, air temperature 27 °C DB and 19 °C WB according to EN 1397

(2) Water temperature 45/40 °C, air temperature 20 °C DB and 15 °C WB according to EN 1397

(3) Water temperature 45/40 °C, air temperature 20 °C DB and 15 °C WB according to EN 1397

(4) Air flow rate measured with clean filters

(5) Sound pressure measured at a distance of 1 meter according to ISO7779

Accessories

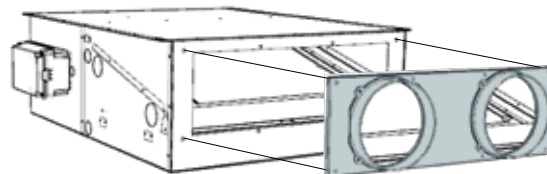
Supply air plate

Description

Supply air outlet plate with circular connections DN160 mm. The number of circular connections depends of the fan coil size, from 2 connections for size 400 to 6 for size 1000.

Codes

GR1100II plate with 2 connections DN160 for SLC 400
GR1101II plate with 3 connections DN160 for SLC 600
GR1102II plate with 4 connections DN160 for SLC 800
GR1103II plate with 6 connections DN160 for SLC 1000



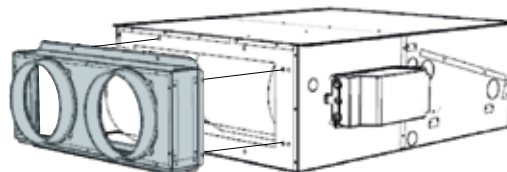
Intake air plate

Description

Intake air plate with circular connections DN160 mm. The number of circular connections depends of the fan coil size, from 2 connections for size 400 to 6 for size 1000.

Codes

GR1104II plate with 2 connections DN160 for SLC 400
GR1105II plate with 3 connections DN160 for SLC 600
GR1106II plate with 4 connections DN160 for SLC 800
GR1107II plate with 6 connections DN160 for SLC 1000



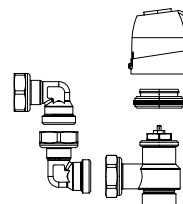
Hydraulic kit

Description

2 way valve group (water inlet valve, shut off valve and electro thermal motor).

Code

V20718II 2 way valve group

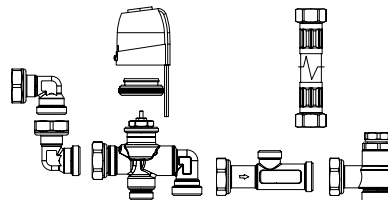


Description

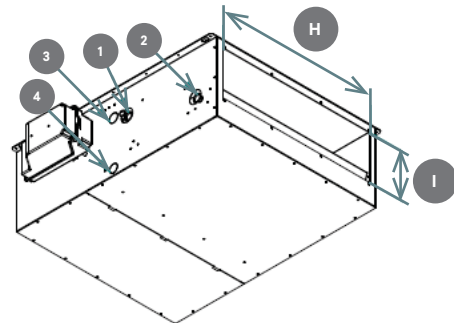
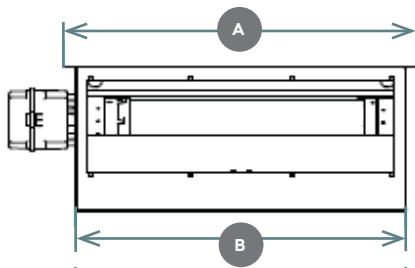
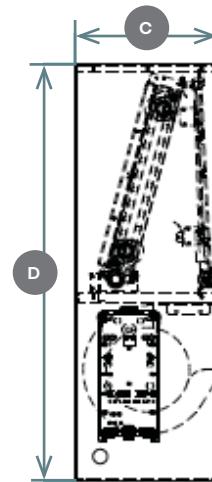
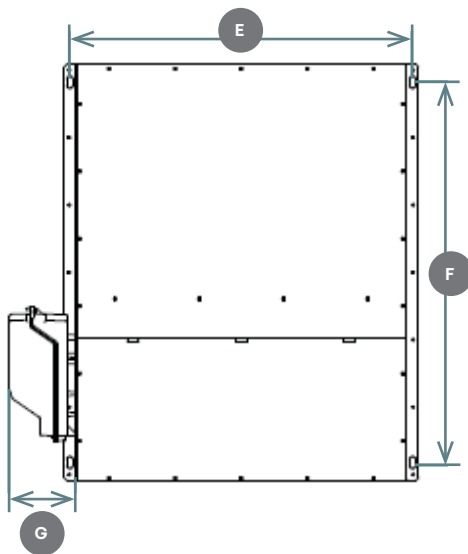
3 way valve group (with inlet 3 way valve, shut off valve, and electro thermal motor).

Code

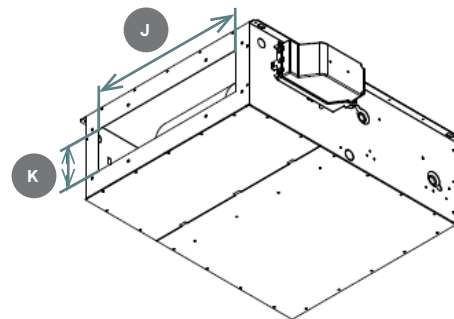
V30717II 3 way valve group



Dimensionali

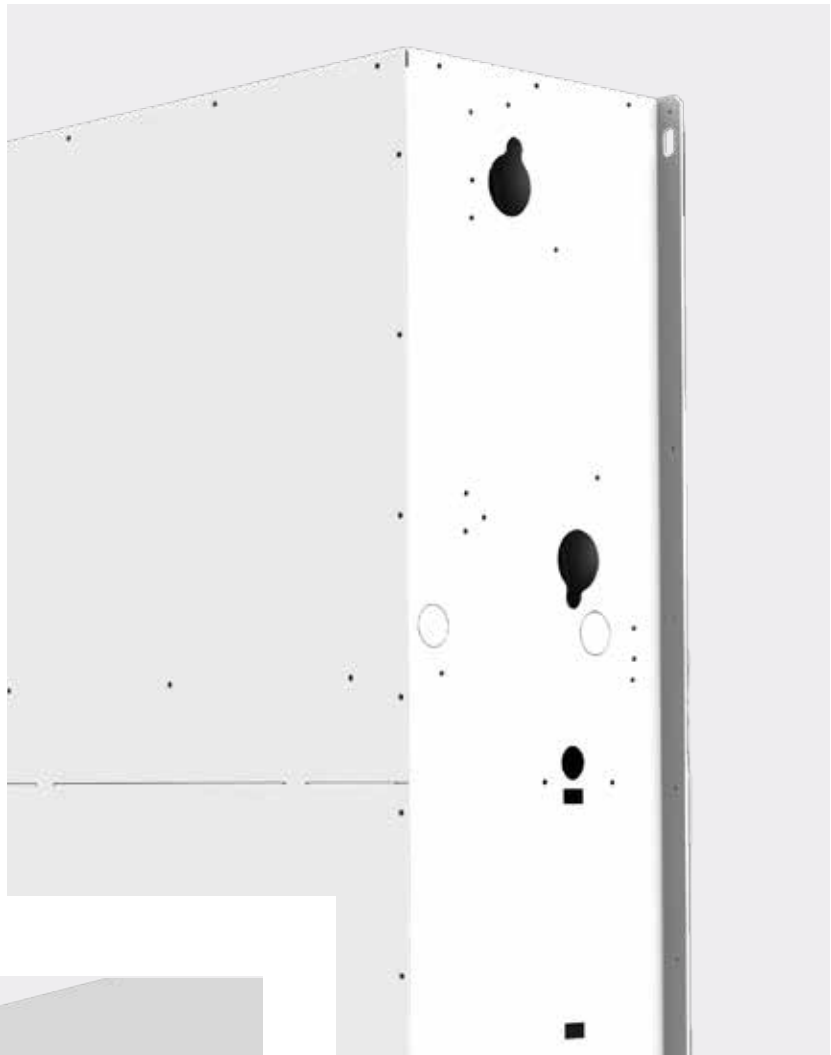


		400	600	800	1000
A	mm	590	790	990	1190
B	mm	550	750	950	1150
C	mm	240	240	240	240
D	mm	695	695	695	695
E	mm	570	770	970	1170
F	mm	637	637	637	637
G	mm	110	110	110	110
H	mm	510	710	910	1110
I	mm	150	150	150	150
J	mm	460	660	860	1060
K	mm	120	120	120	120
Weight	kg	32	42	46	46

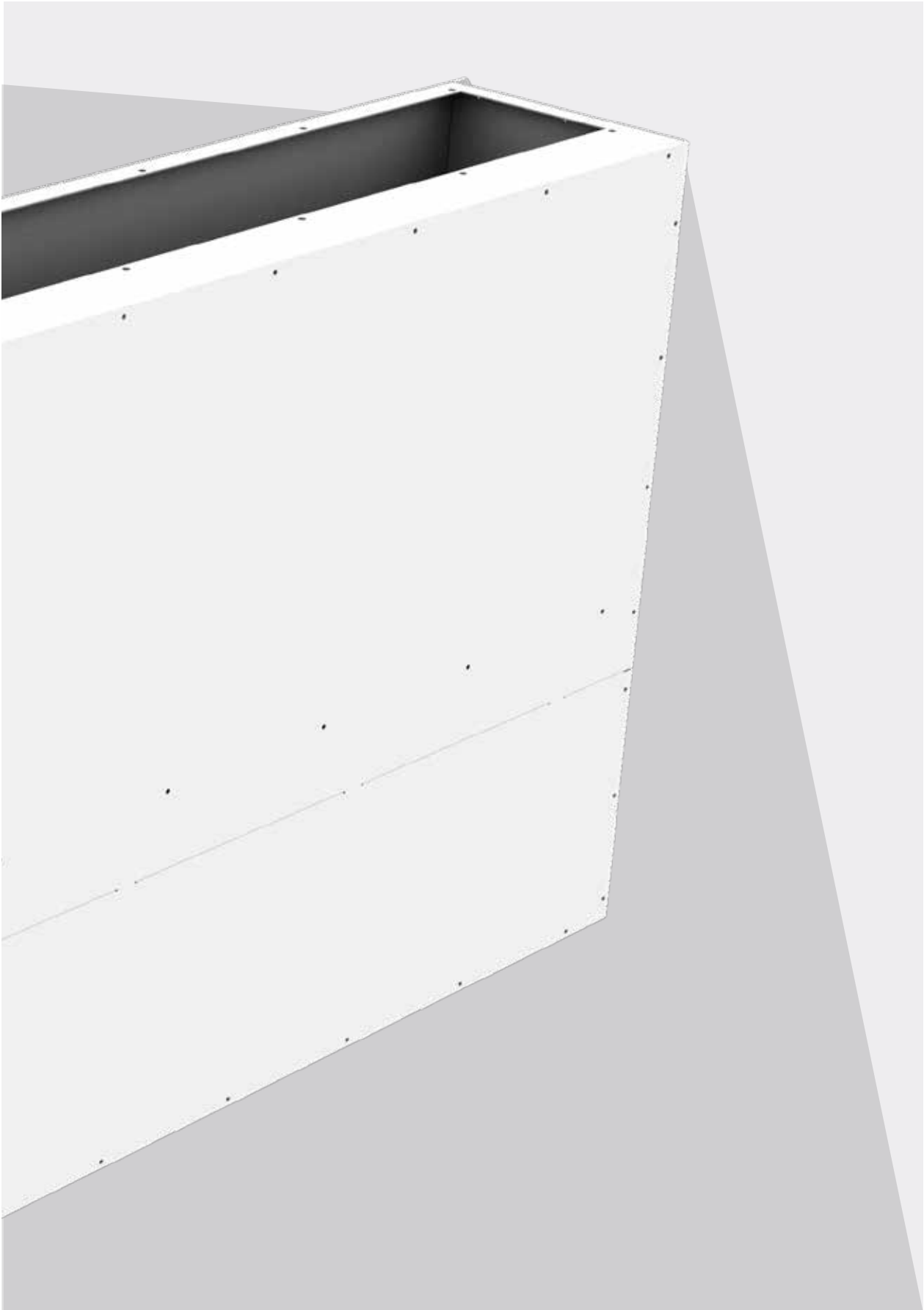


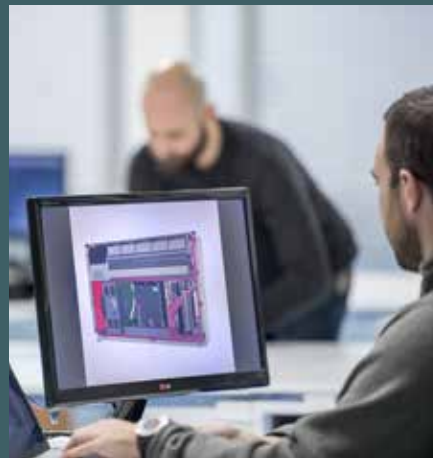
		400	600	800	1000
1 - Water inlet	"EK			3/4	
2 - Water outlet	"EK			3/4	
3 - Vertical inst. condensate connection	mm			18	
4 - Horizontal inst. condensate connection	mm			20	





DUCTO





Projects turned
into reality.





INNOVA s.r.l.
Via 1° Maggio, 8
38089 Storo (Tn)
Tel. +39 0465 670104
Fax: +39 0465 674965
info@innovaenergie.com

www.innovaenergie.com

Edition 2020/1